



RUBBER RAZORS



~managing runoff on gravel roads and driveways~

Portland Water District



Before



After



Also Called: Rubber Razor Blades, Rubber Blades, Rubber Waterbars

Purpose: Rubber Razors divert water off gravel driveways and camp roads into stable vegetated areas.

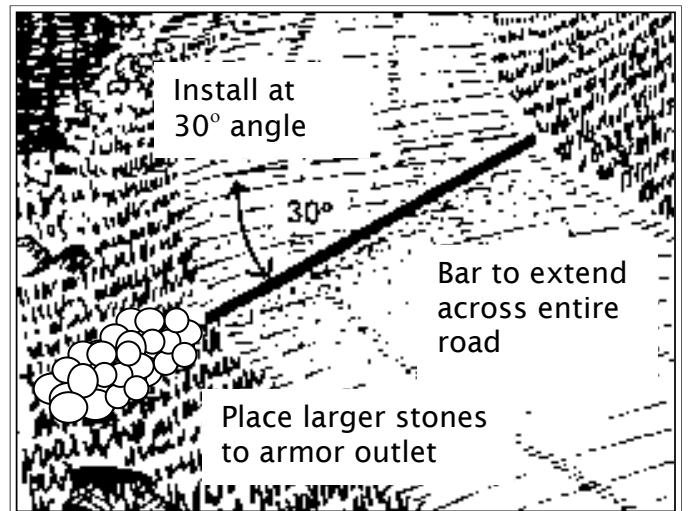
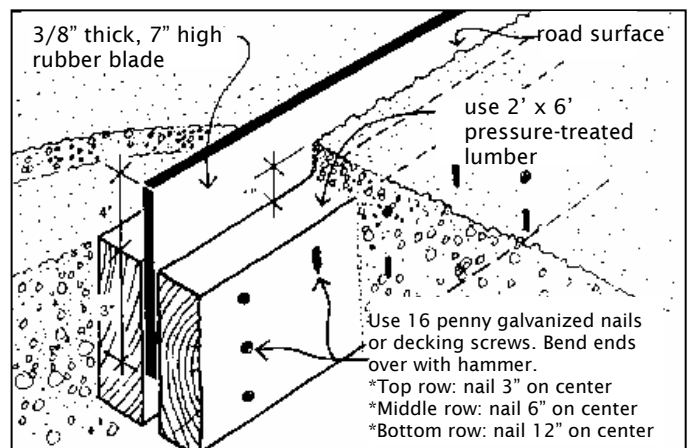
These structures are well suited for seasonal roads that are not plowed. They can be plowed over if the location is clearly marked and the plow operator lifts the plow blade slightly.

Installation: Install the rubber razor at a 30 degree angle to the road edge and point the outlet toward a stable vegetated area.

Pack gravel around the rubber razor to make sure it is securely installed.

Armor the outlet with a flared grouping of stones to slow down the water before it enters the buffer.

Materials: Rubber razors are constructed using new or used conveyor belts. These may be obtained at no or low cost from industrial sources. Contact your Soil and Water Conservation District for additional sources. Lumber can be purchased at any local hardware store.



Maintenance: To maintain these structures, periodically remove accumulated debris from behind the razor.

Part of the **Conservation Practices for Homeowners** Factsheet Series, available at:
Maine DEP (800.452.1942); <http://www.maine.gov/dep/blwq/docwatershed/materials.htm>
Portland Water District (207.774.5961); <http://www.pwd.org/news/publications.php>